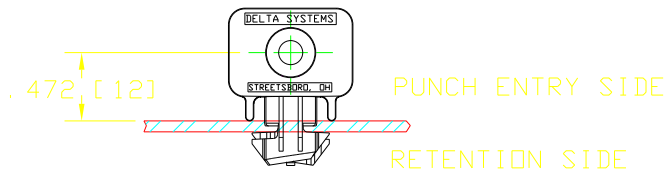


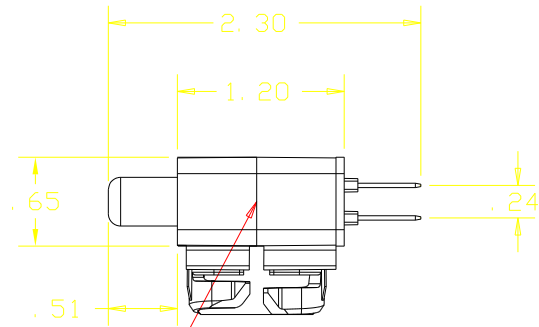
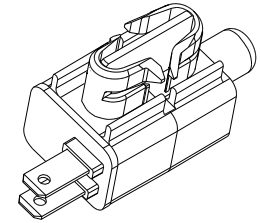
RECOMMENDED MOUNTING SLOT

SWITCH WILL ACCEPT 2mm AND 5mm PANEL THICKNESS INCLUDING PAINT, DECALS, ETC.

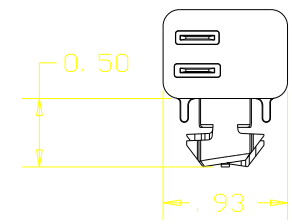
*SQUARE EDGE REQUIRED ON WING RETENTION SIDE OF SLOT.



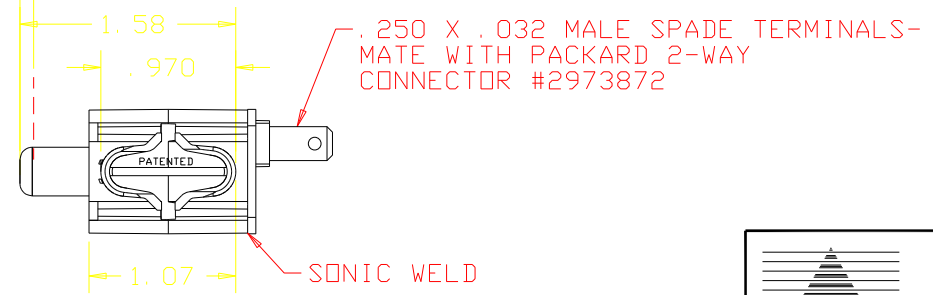
REVISIONS			
~	RELEASED PER CR 1486	06/28/02	JH
A	PRINT CORRECTION	01/10/02	JH



DATE CODE STAMPED ON BODY OF SWITCH



.040 - .150 TO MAKE OR BREAK CONTACTS



NOTES:

- 1-TERMINALS ARE NICKEL PLATED
- 2-PLASTIC PARTS ARE DELTON™, UV STABLE FUEL RESISTANT THERMOPLASTIC
- 3-DATE CODE INDICATING YEAR, MONTH AND DAY OF MONTH MANUFACTURED STAMPED ON HOUSING.
- 4-INTEGRITY OF WELD & SWITCH FUNCTIONALITY TESTED AFTER ASSEMBLY.
- 5-THIS PRODUCT COVERED BY THE FOLLOWING U. S. PATENT; 4,812,604. OTHER PATENTS APPLIED FOR.

DELTA SYSTEMS, INC. DOES NOT ASSUME ANY LIABILITY ARISING OUT OF THE MISAPPLICATION OF ANY PRODUCT

COMPUTER GENERATED DRAWING - NO MANUAL CHANGES ALLOWED

UNLESS OTHERWISE SPECIFIED DIMENSIONS ARE IN INCHES TOLERANCES ARE:
 .XX± .02 .XXX± ANG±
 DO NOT SCALE DRAWING

DRAWN	DATE
JLM	05/31/02
CHECKED	DATE
JH	06/28/02
MATERIAL	
AS NOTED	
FINISH	
OLIVE HSG. & COVER BLACK PLUNGER	

TITLE: N. O. PLUNGER SWITCH
2mm & 5mm PANEL, S. P. S. T.

SIZE: B DWG. NO. 6401-68

SCALE: 1X PROJECT NO. EX311 REV A