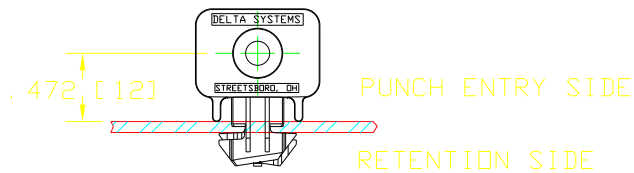


RECOMMENDED MOUNTING SLOT

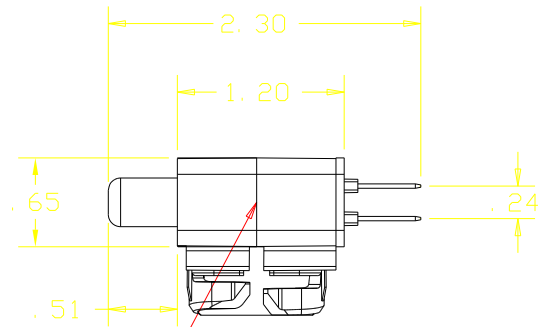
SWITCH WILL ACCEPT 2mm AND 5mm PANEL THICKNESS INCLUDING PAINT, DECALS, ETC.

*SQUARE EDGE REQUIRED ON WING RETENTION SIDE OF SLOT.



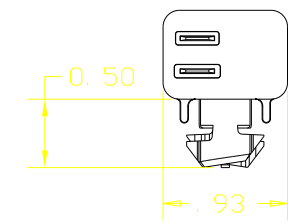
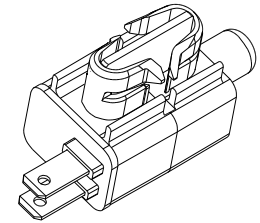
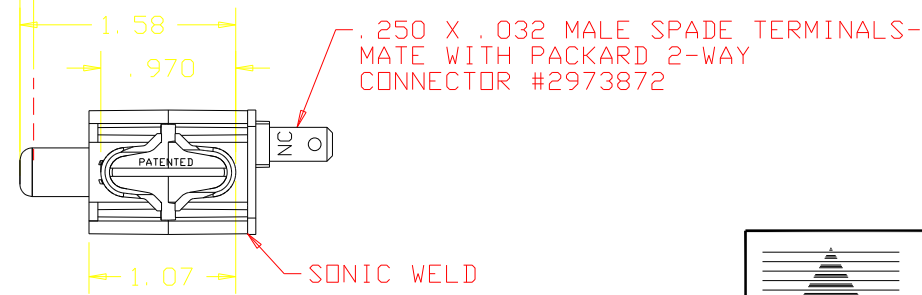
NOTES:

- 1-NC" STAMPED ON BOTH TERMINALS.
- 2-TERMINALS ARE NICKEL PLATED
- 3-PLASTIC PARTS ARE DELTON™, UV STABLE FUEL RESISTANT THERMOPLASTIC
- 4-DATE CODE INDICATING YEAR, MONTH AND DAY OF MONTH MANUFACTURED STAMPED ON HOUSING.
- 5-INTEGRITY OF WELD & SWITCH FUNCTIONALITY TESTED AFTER ASSEMBLY.
- 6-THIS PRODUCT COVERED BY THE FOLLOWING U. S. PATENT; 4,812,604. OTHER PATENTS APPLIED FOR.



DATE CODE STAMPED ON BODY OF SWITCH

.040 - .150 TO MAKE OR BREAK CONTACTS



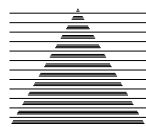
REVISIONS			
~	RELEASED PER CR 1486	06/28/02	JH
A	PRINT CORRECTION	01/10/02	JH
B	ADD FINISH NOTE, CN 0976	04/01/05	JH

DELTA SYSTEMS, INC. DOES NOT ASSUME ANY LIABILITY ARISING OUT OF THE MISAPPLICATION OF ANY PRODUCT

COMPUTER GENERATED DRAWING - NO MANUAL CHANGES ALLOWED

UNLESS OTHERWISE SPECIFIED DIMENSIONS ARE IN INCHES TOLERANCES ARE:
 .XX± .02 .XXX± ANG±
 DO NOT SCALE DRAWING

DRAWN	DATE
JLM	05/31/02
CHECKED	DATE
JH	06/28/02
MATERIAL	
AS NOTED	
FINISH	
HSG/COVER OLIVE PLUNGER GRAY	



DELTA
SYSTEMS INC.
STREETSBORO, OHIO 44241

TITLE		N. C. PLUNGER SWITCH 2mm & 5mm PANEL, S. P. S. T.	
SIZE	DWG. NO.	6401-67	
SCALE	PROJECT NO.	REV	
1X	EX311	B	