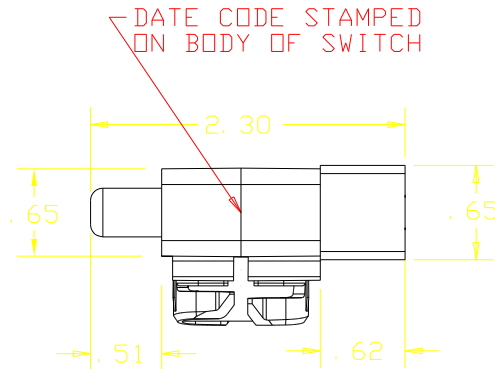
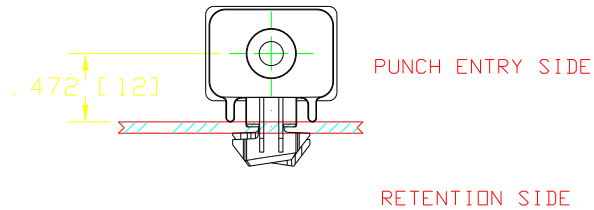


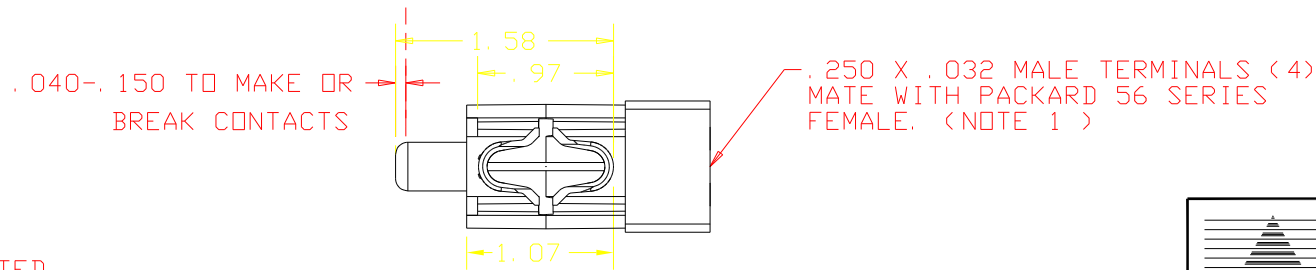
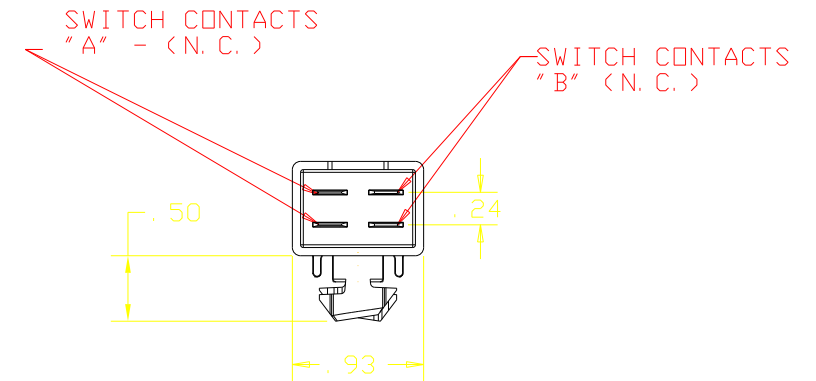
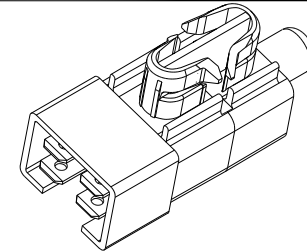
RECOMMENDED MOUNTING SLOT

SWITCH WILL ACCEPT 2mm AND 5mm PANEL THICKNESS INCLUDING PAINT, DECALS, ETC.

*SQUARE EDGE REQUIRED ON WING RETENTION SIDE OF SLOT.



REVISIONS			
~	RELEASED PER CR 1486	06/28/02	JH
A	PRINT CORRECTION	01/10/02	JH
B	ADD FINISH NOTE, CN 0976	04/01/05	JH



NOTES:

- 1-TERMINALS ARE NICKEL PLATED
- 2-PLASTIC PARTS ARE DELTON UV STABLE FUEL RESISTANT THERMOPLASTIC
- 3-DATE CODE INDICATING YEAR, MONTH AND DAY OF MONTH MANUFACTURED STAMPED ON HOUSING.
- 4-INTEGRITY OF WELD & SWITCH FUNCTIONALITY TESTED AFTER ASSEMBLY.
- 5-THIS PRODUCT IS COVERED BY ONE OR MORE OF THE FOLLOWING U. S. PATENTS: 5, 221, 816; 5, 424, 502 4, 812, 604; OTHER PATENTS APPLIED FOR.

DELTA SYSTEMS, INC. DOES NOT ASSUME ANY LIABILITY ARISING OUT OF THE MISAPPLICATION OF ANY PRODUCT

COMPUTER GENERATED DRAWING - NO MANUAL CHANGES ALLOWED

UNLESS OTHERWISE SPECIFIED DIMENSIONS ARE IN INCHES TOLERANCES ARE:

.xx± .02 .xxx± .005 ANG± 1°

DO NOT SCALE DRAWING

DRAWN	DATE
JLM	05/31/02
CHECKED	DATE
JH	06/28/02
MATERIAL	
AS NOTED	
FINISH	
HSG/COVER OLIVE PLUNGER GRAY	

		DELTA SYSTEMS INC. STREETSBORO, OHIO 44241	
TITLE			
N. C. /N. C. PLUNGER SWITCH (2mm & 5mm PANEL, DOUBLE POLE)			
SIZE	DWG. NO.		
B	6401-66		
SCALE	PROJECT NO.	REV	
1X	EX335	B	