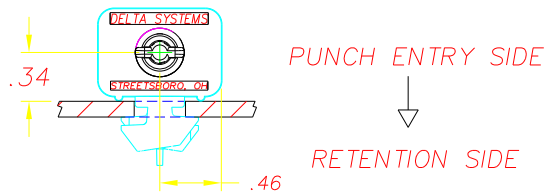


RECOMMENDED MOUNTING SLOT SWITCH WILL ACCEPT .108 & .170 PANEL THICKNESSES INCLUDING PAINT, DECALS, ETC.

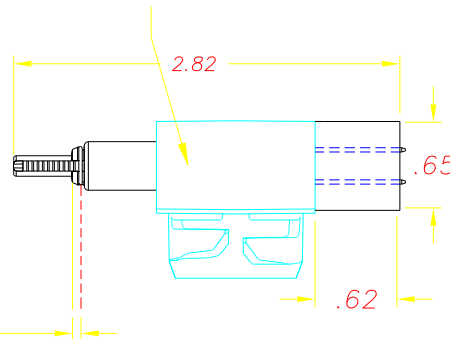
\*SQUARE EDGE REQUIRED ON WING RETENTION SIDE OF SLOT



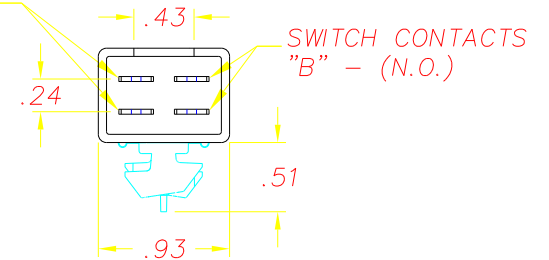
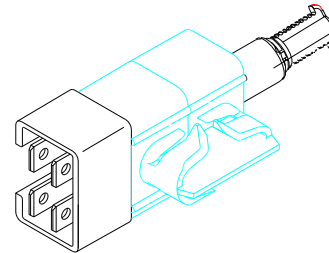
PUNCH ENTRY SIDE

RETENTION SIDE

DATE CODE STAMPED ON BODY OF SWITCH

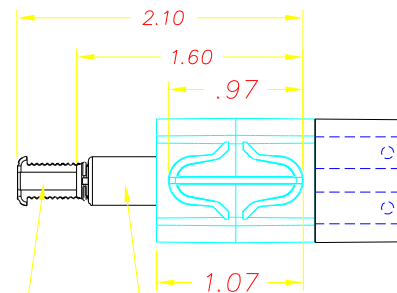


SWITCH CONTACTS "A" - (N.O.)



SWITCH CONTACTS "B" - (N.O.)

0.040-0.18 TO MAKE OR BREAK CONTACTS. TOTAL TRAVEL IS 0.51" SEE NOTE #8



.250 x .032 MALE TERMINALS (4) MATE WITH PACKARD 56 SERIES FEMALE. (NOTE 1)

ADJUSTABLE PLUNGER

SWITCH PLUNGER

NOTES:

- 1-TERMINALS ARE NICKEL PLATED;
- 2-ADJUSTABLE PLUNGER IS GLASS FILLED NYLON, ALL OTHER PLASTIC PARTS - DELTON™, UV STABLE, FUEL RESISTANT THERMOPLASTIC.
- 3-DATE CODE INDICATING YEAR, MONTH, & DAY OF MONTH MANUFACTURED STAMPED ON HOUSING.
- 4-INTEGRITY OF WELD & SWITCH FUNCTIONALITY TESTED AFTER ASSEMBLY.
- 5-THIS PRODUCT COVERED BY THE FOLLOWING U.S. PATENT; 4,812,604, 5,528,007, 5,221,816. OTHER PATENTS APPLIED FOR.
- 6-"NC" POLE BREAKS CONTACT BEFORE THE "NO" POLE MAKES CONTACT.
- 7-ADJUSTABLE IN 12 INCREMENTS OF .035" EACH. THE FORCE REQUIRED TO DEPRESS THE "ADJUSTABLE PLUNGER" WHEN THE "SWITCH PLUNGER IS AT THE BOTTOM OF IT'S TRAVEL IS 5-15 LBS., REPEATABLE FOR THREE ADJUSTMENT CYCLES.
- 8-3.0±1.0 LBS. FORCE TO ACTUATE THE SWITCH PLUNGER .300".
- 9-ELECTRICAL LIFE:  
75,000 CYCLES @ 3A 12VDC RESISTIVE LOAD.  
10,000 CYCLES @ 3A 12VDC INDUCTIVE LOAD.

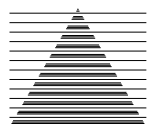
DELTA SYSTEMS, INC. DOES NOT ASSUME ANY LIABILITY ARISING OUT OF THE MISAPPLICATION OF ANY PRODUCT

COMPUTER GENERATED DRAWING - NO MANUAL CHANGES ALLOWED

UNLESS OTHERWISE SPECIFIED DIMENSIONS ARE IN INCHES TOLERANCES ARE:  
.xx± .02 .xxx± .005 ANG± 1°

DO NOT SCALE DRAWING

|                                    |          |
|------------------------------------|----------|
| DRAWN                              | DATE     |
| JLM                                | 11/13/02 |
| CHECKED                            | DATE     |
| JH                                 | 11/25/02 |
| MATERIAL                           |          |
| AS NOTED                           |          |
| FINISH                             |          |
| HSG. & COVER BLACK<br>PLUNGER GRAY |          |



**DELTA**  
SYSTEMS INC.  
STREETSBORO, OHIO 44241

|       |             |   |  |
|-------|-------------|---|--|
| TITLE |             | NO/NO ADJUSTABLE PLUNGER SWITCH (DOUBLE POLE) |  |
| SIZE  | DWG. NO.    | 6400-85AP                                     |  |
| SCALE | PROJECT NO. | REV   |  |
| FULL  | EX311       | C   |  |

| REVISIONS |                                |          |    |
|-----------|--------------------------------|----------|----|
| ~         | INITIAL RELEASE PER CR 1469    | 12/09/02 | JH |
| A         | NOTE 8, .300 WAS .030, CN 0863 | 09/14/04 | JH |
| B         | CHANGE SPECIFICATIONS; CN 0932 | 12/17/04 | JM |
| C         | ADD FINISH NOTE, CN 0976       | 04/01/05 | JH |