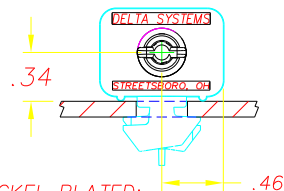
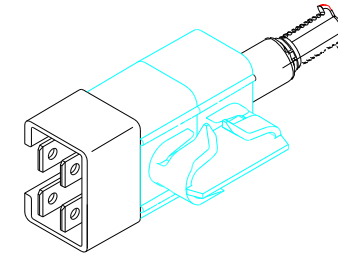


RECOMMENDED MOUNTING SLOT SWITCH WILL ACCEPT .108 & .170 PANEL THICKNESSES INCLUDING PAINT, DECALS, ETC.

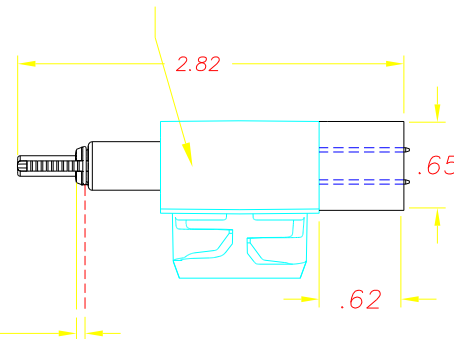
*SQUARE EDGE REQUIRED ON WING RETENTION SIDE OF SLOT

REVISIONS			
~	INITIAL RELEASE PER CR 1469	12/09/02	JH
A	NOTE 8, .300 WAS .030, CN 0863	09/14/04	JH
B	CHANGE SPECIFICATIONS; CN 0932	12/17/04	JM
C	ADD FINISH NOTES, CN 0976	04/01/05	JH



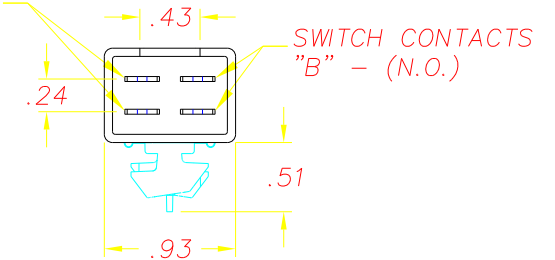
PUNCH ENTRY SIDE

RETENTION SIDE



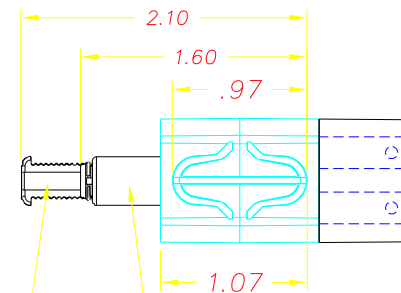
DATE CODE STAMPED ON BODY OF SWITCH

SWITCH CONTACTS "A" - (N.C.)



SWITCH CONTACTS "B" - (N.O.)

0.040-0.18 TO MAKE OR BREAK CONTACTS. TOTAL TRAVEL IS 0.51" SEE NOTE #8



ADJUSTABLE PLUNGER

SWITCH PLUNGER

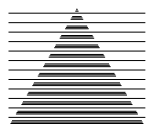
.250 x .032 MALE TERMINALS (4) MATE WITH PACKARD 56 SERIES FEMALE. (NOTE 1)

NOTES:

- 1-TERMINALS ARE NICKEL PLATED; "NC" STAMPED ON ALL NORMALLY CLOSED TERMINALS.
- 2-ADJUSTABLE PLUNGER IS GLASS FILLED NYLON, ALL OTHER PLASTIC PARTS - DELTON™, UV STABLE, FUEL RESISTANT THERMOPLASTIC.
- 3-DATE CODE INDICATING YEAR, MONTH, & DAY OF MONTH MANUFACTURED STAMPED ON HOUSING.
- 4-INTEGRITY OF WELD & SWITCH FUNCTIONALITY TESTED AFTER ASSEMBLY.
- 5-THIS PRODUCT COVERED BY THE FOLLOWING U.S. PATENT; 4,812,604, 5,528,007, 5,221,816. OTHER PATENTS APPLIED FOR.
- 6-"NC" POLE BREAKS CONTACT BEFORE THE "NO" POLE MAKES CONTACT.
- 7-ADJUSTABLE IN 12 INCREMENTS OF .035" EACH. THE FORCE REQUIRED TO DEPRESS THE "ADJUSTABLE PLUNGER" WHEN THE "SWITCH PLUNGER IS AT THE BOTTOM OF IT'S TRAVEL IS 5-15 LBS., REPEATABLE FOR THREE ADJUSTMENT CYCLES.
- 8-3.0±1.0 LBS. FORCE TO ACTUATE THE SWITCH PLUNGER .300".
- 9-ELECTRICAL LIFE:
75,000 CYCLES @ 3A 12VDC RESISTIVE LOAD.
10,000 CYCLES @ 3A 12VDC INDUCTIVE LOAD.

DELTA SYSTEMS, INC. DOES NOT ASSUME ANY LIABILITY ARISING OUT OF THE MISAPPLICATION OF ANY PRODUCT	
COMPUTER GENERATED DRAWING - NO MANUAL CHANGES ALLOWED	UNLESS OTHERWISE SPECIFIED DIMENSIONS ARE IN INCHES TOLERANCES ARE: .xx±.02 .xxx±.005 ANG±1°
DO NOT SCALE DRAWING	

DRAWN	DATE
JLM	03/19/02
CHECKED	DATE
JH	04/06/02
MATERIAL	
AS NOTED	
FINISH	
HOUSING BLACK PLUNGER & COVER GRAY	

		DELTA SYSTEMS INC. STREETSBORO, OHIO 44241	
TITLE NO/NC ADJUSTABLE PLUNGER SWITCH (DOUBLE POLE)			
SIZE B	DWG. NO. 6400-84AP		
SCALE FULL	PROJECT NO. EX311	REV C	