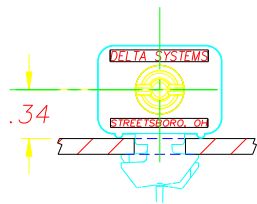


RECOMMENDED MOUNTING SLOT
SWITCH WILL ACCEPT .108 & .170 PANEL
THICKNESSES INCLUDING PAINT, DECALS, ETC.

*SQUARE EDGE REQUIRED ON WING RETENTION SIDE OF SLOT

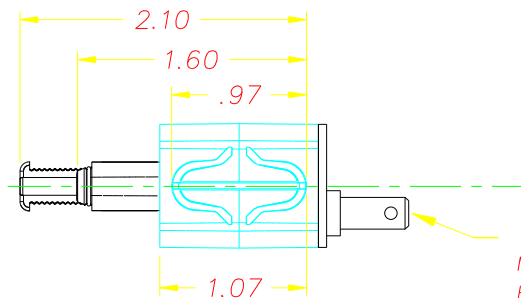
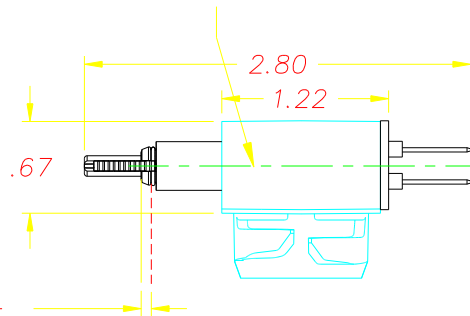


PUNCH ENTRY SIDE

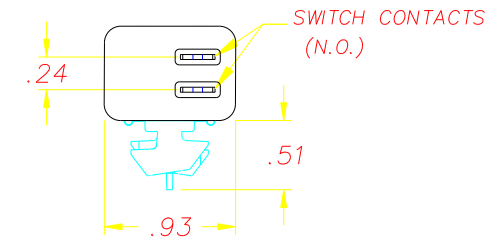
RETENTION SIDE (B)

0.04-0.18 TO MAKE
OR BREAK CONTACTS.
TOTAL TRAVEL IS 0.51".
SEE NOTE #7

DATE CODE STAMPED
ON BODY OF SWITCH




MATE WITH PACKARD 56 SERIES
FEMALE. (NOTE 1)



NOTES:

- 1-TERMINALS ARE NICKEL PLATED
- 2-ADJUSTABLE PLUNGER IS GLASS FILLED NYLON, ALL OTHER PLASTIC PARTS - DELTON™, UV STABLE, FUEL RESISTANT THERMOPLASTIC.
- 3-DATE CODE INDICATING YEAR, MONTH, & DAY OF MONTH MANUFACTURED STAMPED ON HOUSING.
- 4-INTEGRITY OF WELD & SWITCH FUNCTIONALITY TESTED AFTER ASSEMBLY.
- 5-THIS PRODUCT COVERED BY THE FOLLOWING U.S. PATENT; 4,812,604, 5,528,007, 5,221,816. OTHER PATENTS APPLIED FOR.
- 6-ADJUSTABLE IN 12 INCREMENTS OF .035" EACH. THE FORCE REQUIRED TO DEPRESS THE "ADJUSTABLE PLUNGER" WHEN THE "SWITCH PLUNGER IS AT THE BOTTOM OF IT'S TRAVEL IS 5-15 LBS., REPEATABLE FOR THREE ADJUSTMENT CYCLES.
- 7-3.0±1.0 LBS. FORCE TO ACTUATE THE SWITCH PLUNGER .300".
- 8-ELECTRICAL LIFE:
75,000 CYCLES @ 3A 12VDC RESISTIVE LOAD.
10,000 CYCLES @ 3A 12VDC INDUCTIVE LOAD.

REVISIONS			
~	INITIAL RELEASE, CR1469	12/09/02	JH
A	NOTE 7, .300 WAS .030, CN 0863	09/14/04	JH
B	CHANGE SPECIFICATIONS; CN 0932	12/17/04	JM

DELTA SYSTEMS, INC. DOES NOT ASSUME ANY LIABILITY ARISING OUT OF THE MISAPPLICATION OF ANY PRODUCT		DRAWN JLM	DATE 03/25/02	 DELTA SYSTEMS INC. STREETSBORO, OHIO 44241		
		CHECKED JH	DATE 04/06/02			
COMPUTER GENERATED DRAWING - NO MANUAL CHANGES ALLOWED		MATERIAL AS NOTED		TITLE N.O. PLUNGER SWITCH S.P.S.T. WITH ADJUSTMENT		
		FINISH BLACK		SIZE B	DWG. NO. 6400-82AP	
UNLESS OTHERWISE SPECIFIED DIMENSIONS ARE IN INCHES TOLERANCES ARE: .XX± .02 .XXX± .005 ANG± 1°		DO NOT SCALE DRAWING		SCALE FULL	PROJECT NO. EX311	REV B

