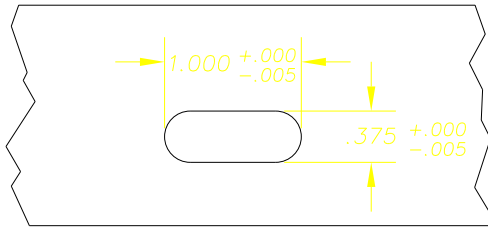


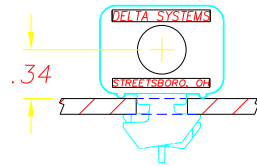
REVISIONS

| | | | |
|---|-------------------------|----------|----|
| ~ | INITIAL RELEASE, CR1406 | 10/16/00 | JH |
|---|-------------------------|----------|----|



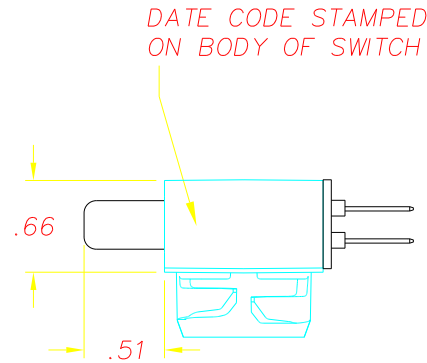
RECOMMENDED MOUNTING SLOT
SWITCH WILL ACCEPT .108 & .170 PANEL
THICKNESSES INCLUDING PAINT, DECALS, ETC.

*SQUARE EDGE REQUIRED ON WING RETENTION SIDE OF SLOT

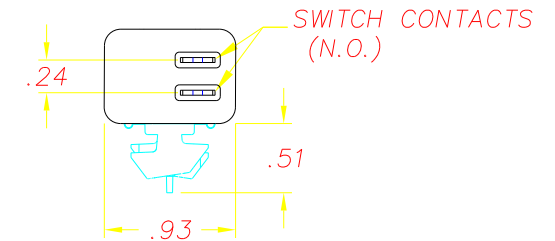


PUNCH ENTRY SIDE

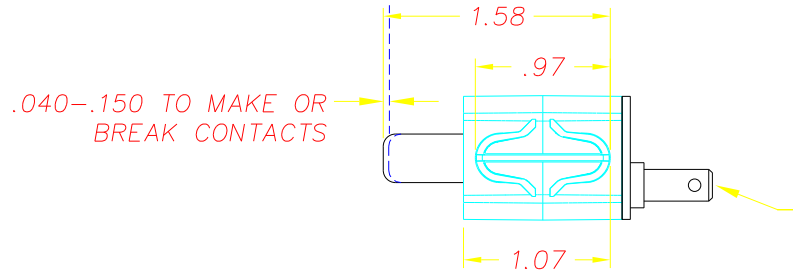
RETENTION SIDE



DATE CODE STAMPED
ON BODY OF SWITCH



SWITCH CONTACTS
(N.O.)




.040-.150 TO MAKE OR
BREAK CONTACTS

.250 x .032 MALE TERMINALS (2)
MATE WITH PACKARD 56 SERIES
FEMALE. (NOTE 1)

NOTES:

- 1-TERMINALS ARE NICKEL PLATED
- 2-PLASTIC PARTS ARE DELTON™, UV STABLE, FUEL RESISTANT THERMOPLASTIC
- 3-DATE CODE INDICATING YEAR, MONTH, AND DAY OF MONTH MANUFACTURED STAMPED ON HOUSING.
- 4-INTEGRITY OF WELD & SWITCH FUNCTIONALITY \triangle TESTED AFTER ASSEMBLY.
- 5-THIS PRODUCT COVERED BY ONE OR MORE OF THE FOLLOWING U.S. PATENTS: 5,221,816; 5,424,502; 4,812,604, OTHER PATENTS APPLIED FOR.

\triangle DESIGNATES CRITICAL CHARACTERISTIC

| | | | | | | |
|--|--|----------------------|------------------|--|---------------------------------------|---------------------|
| DELTA SYSTEMS, INC. DOES NOT ASSUME ANY LIABILITY ARISING OUT OF THE MISAPPLICATION OF ANY PRODUCT | | DRAWN DMR | DATE 10/16/00 |  <p>DELTA SYSTEMS INC. STREETSBORO, OHIO 44241</p> | TITLE N.O. PLUNGER SWITCH S.P.S.T. | |
| COMPUTER GENERATED DRAWING - NO MANUAL CHANGES ALLOWED | | CHECKED JH | DATE 10/16/00 | | SIZE B | DWG. NO. 6400-82 |
| UNLESS OTHERWISE SPECIFIED DIMENSIONS ARE IN INCHES TOLERANCES ARE: .XX± .02 .XXX± .005 ANG± 1° | | MATERIAL AS NOTED | | SCALE FULL | PROJECT NO. EX311 | REV ~ |
| DO NOT SCALE DRAWING | | FINISH BLACK | | | | |