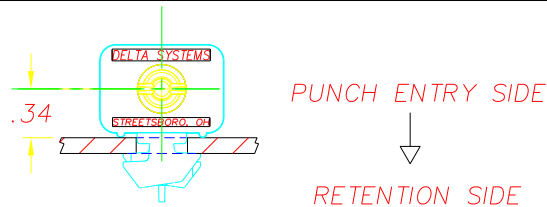


RECOMMENDED MOUNTING SLOT SWITCH WILL ACCEPT .108 & .170 PANEL THICKNESSES INCLUDING PAINT, DECALS, ETC.

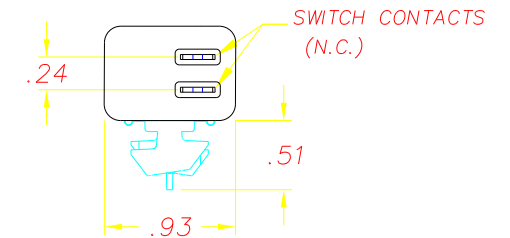
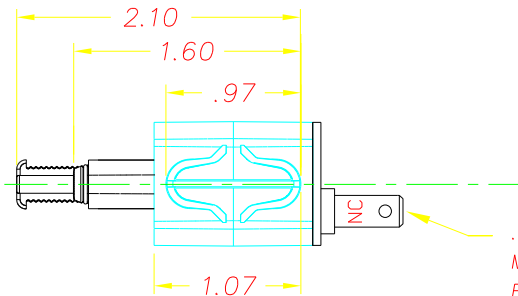
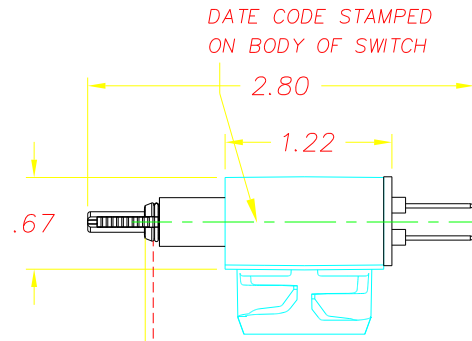
\*SQUARE EDGE REQUIRED ON WING RETENTION SIDE OF SLOT



**NOTES:**

- 1-TERMINALS ARE NICKEL PLATED "NC" STAMPED ON ALL NORMALLY CLOSED TERMINALS
- 2-ADJUSTABLE PLUNGER IS GLASS FILLED NYLON, ALL OTHER PLASTIC PARTS - DELTON™, UV STABLE, FUEL RESISTANT THERMOPLASTIC.
- 3-DATE CODE INDICATING YEAR, MONTH, & DAY OF MONTH MANUFACTURED STAMPED ON HOUSING.
- 4-INTEGRITY OF WELD & SWITCH FUNCTIONALITY TESTED AFTER ASSEMBLY.
- 5-THIS PRODUCT COVERED BY THE FOLLOWING U.S. PATENT; 4,812,604, 5,528,007, 5,221,816. OTHER PATENTS APPLIED FOR.
- 6-ADJUSTABLE IN 12 INCREMENTS OF .035" EACH. THE FORCE REQUIRED TO DEPRESS THE "ADJUSTABLE PLUNGER" WHEN THE "SWITCH PLUNGER IS AT THE BOTTOM OF IT'S TRAVEL IS 5-15 LBS., REPEATABLE FOR THREE ADJUSTMENT CYCLES.
- 7-3.0±1.0 LBS. FORCE TO ACTUATE THE SWITCH PLUNGER .300".
- 8-ELECTRICAL LIFE:  
75,000 CYCLES @ 3A 12VDC RESISTIVE LOAD.  
10,000 CYCLES @ 3A 12VDC INDUCTIVE LOAD.

(B) 0.04-0.18 TO MAKE OR BREAK CONTACTS. TOTAL TRAVEL IS 0.51". SEE NOTE #7



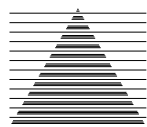
REVISIONS			
~	INITIAL RELEASE, CR 1469	12/09/02	JH
A	NOTE 7, .300 WAS .030, CN 0863	09/14/04	JH
B	CHANGE SPECIFICATIONS; CN 0932	12/17/04	JM

DELTA SYSTEMS, INC. DOES NOT ASSUME ANY LIABILITY ARISING OUT OF THE MISAPPLICATION OF ANY PRODUCT

COMPUTER GENERATED DRAWING - NO MANUAL CHANGES ALLOWED

UNLESS OTHERWISE SPECIFIED DIMENSIONS ARE IN INCHES TOLERANCES ARE:  
.XX± .02 .XXX± .005 ANG± 1°  
DO NOT SCALE DRAWING

DRAWN	DATE
JLM	03/13/02
CHECKED	DATE
JH	03/25/02
MATERIAL	
AS NOTED	
FINISH	
GRAY	

		<b>DELTA</b> SYSTEMS INC. STREETSBORO, OHIO 44241	
TITLE		N.C. PLUNGER SWITCH S.P.S.T.	
SIZE	B	DWG. NO.	6400-81AP
SCALE	FULL	PROJECT NO.	EX311
		REV	B