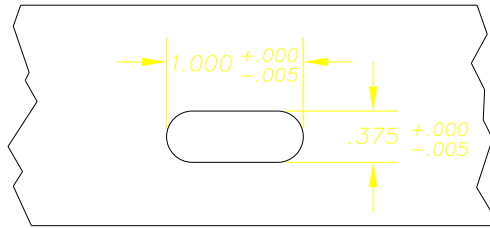


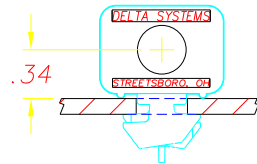
REVISIONS

~	INITIAL RELEASE, CR 1406	10/16/00	JH
---	--------------------------	----------	----



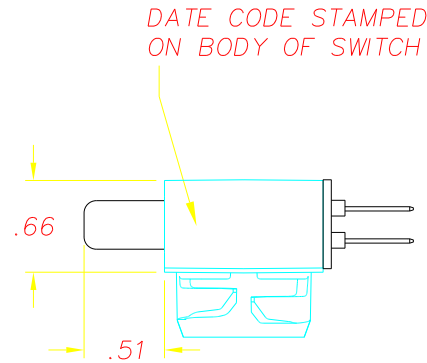
RECOMMENDED MOUNTING SLOT SWITCH WILL ACCEPT .108 & .170 PANEL THICKNESSES INCLUDING PAINT, DECALS, ETC.

*SQUARE EDGE REQUIRED ON WING RETENTION SIDE OF SLOT

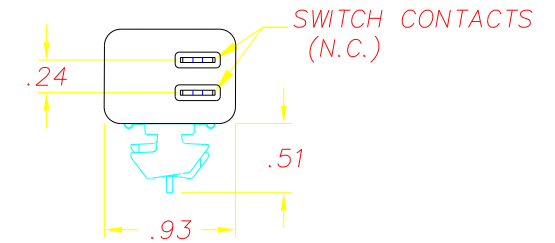


PUNCH ENTRY SIDE

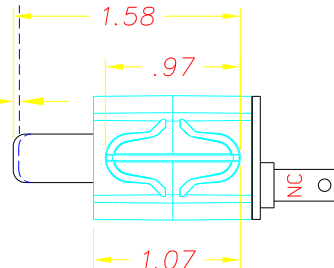
RETENTION SIDE



DATE CODE STAMPED ON BODY OF SWITCH



.040-.150 TO MAKE OR BREAK CONTACTS




.250 x .032 MALE TERMINALS (2) MATE WITH PACKARD 56 SERIES FEMALE. (NOTE 1)

NOTES:

- 1-TERMINALS ARE NICKEL PLATED
- 2-PLASTIC PARTS ARE DELTON™, UV STABLE, FUEL RESISTANT THERMOPLASTIC
- 3-DATE CODE INDICATING YEAR, MONTH, AND DAY OF MONTH MANUFACTURED STAMPED ON HOUSING.
- 4-INTEGRITY OF WELD & SWITCH FUNCTIONALITY \triangle TESTED AFTER ASSEMBLY.
- 5-THIS PRODUCT COVERED BY ONE OR MORE OF THE FOLLOWING U.S. PATENTS: 5,221,816; 5,424,502; 4,812,604, OTHER PATENTS APPLIED FOR.

\triangle DESIGNATES CRITICAL CHARACTERISTIC

DELTA SYSTEMS, INC. DOES NOT ASSUME ANY LIABILITY ARISING OUT OF THE MISAPPLICATION OF ANY PRODUCT		DRAWN DMR	DATE 10/16/00	 <p>DELTA SYSTEMS INC. STREETSBORO, OHIO 44241</p>
		CHECKED JH	DATE 10/16/00	
		MATERIAL AS NOTED		TITLE N.C. PLUNGER SWITCH S.P.S.T.
COMPUTER GENERATED DRAWING - NO MANUAL CHANGES ALLOWED		FINISH GRAY		SIZE B
UNLESS OTHERWISE SPECIFIED DIMENSIONS ARE IN INCHES TOLERANCES ARE: .xx± .02 .xxx± .005 ANG± 1°		DO NOT SCALE DRAWING		DWG. NO. 6400-81
				SCALE FULL
				PROJECT NO. EX311
				REV ~