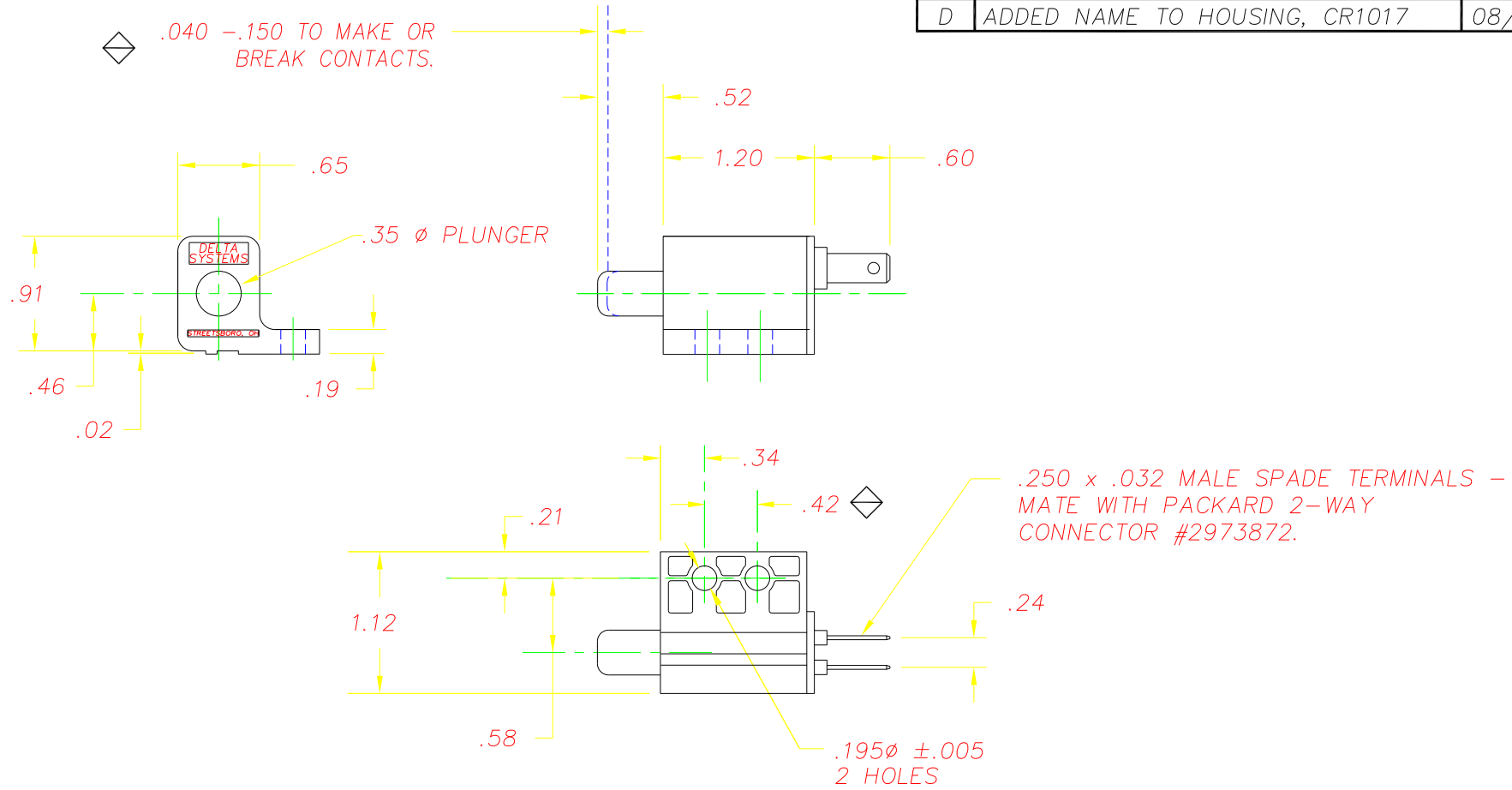
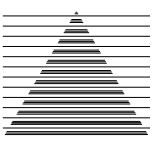


REVISIONS			
B	ADDED NOTE 5	02/05/96	TW
C	REVISED HOUSING, CR 817	7/12/96	TW
D	ADDED NAME TO HOUSING, CR1017	08/17/97	TW



NOTES:

- 1 – TERMINALS ARE NICKEL PLATED.
- 2 – PLASTIC PARTS ARE DELTON™, UV STABLE, FUEL RESISTANT THERMOPLASTIC.
- 3 – DATE CODE INDICATING YEAR, MONTH, AND DAY OF MONTH MANUFACTURED STAMPED ON HOUSING.
- 4 – INTEGRITY OF WELD & SWITCH FUNCTIONALITY TESTED AFTER ASSEMBLY.
- 5 – THIS PRODUCT COVERED BY THE FOLLOWING U.S. PATENT; 4,812,604. OTHER PATENTS APPLIED FOR.

		DELTA SYSTEMS INC. STREETSBORO, OHIO 44241	
DRAWN GAS		DATE 06/10/91	
CHECKED TW		DATE 06/10/91	
MATERIAL NOTE 2			
FINISH GRAY			
TITLE 6400-54 N.O. PLUNGER SWITCH			
SIZE B	DWG. NO. 6400-54	PROJECT NO. EX311	REV D
SCALE FULL		SHEET 1 OF 1	
UNLESS OTHERWISE SPECIFIED DIMENSIONS ARE IN INCHES TOLERANCES ARE: .XX± .020 .XXX± .010 ANG±			
DO NOT SCALE DRAWING			