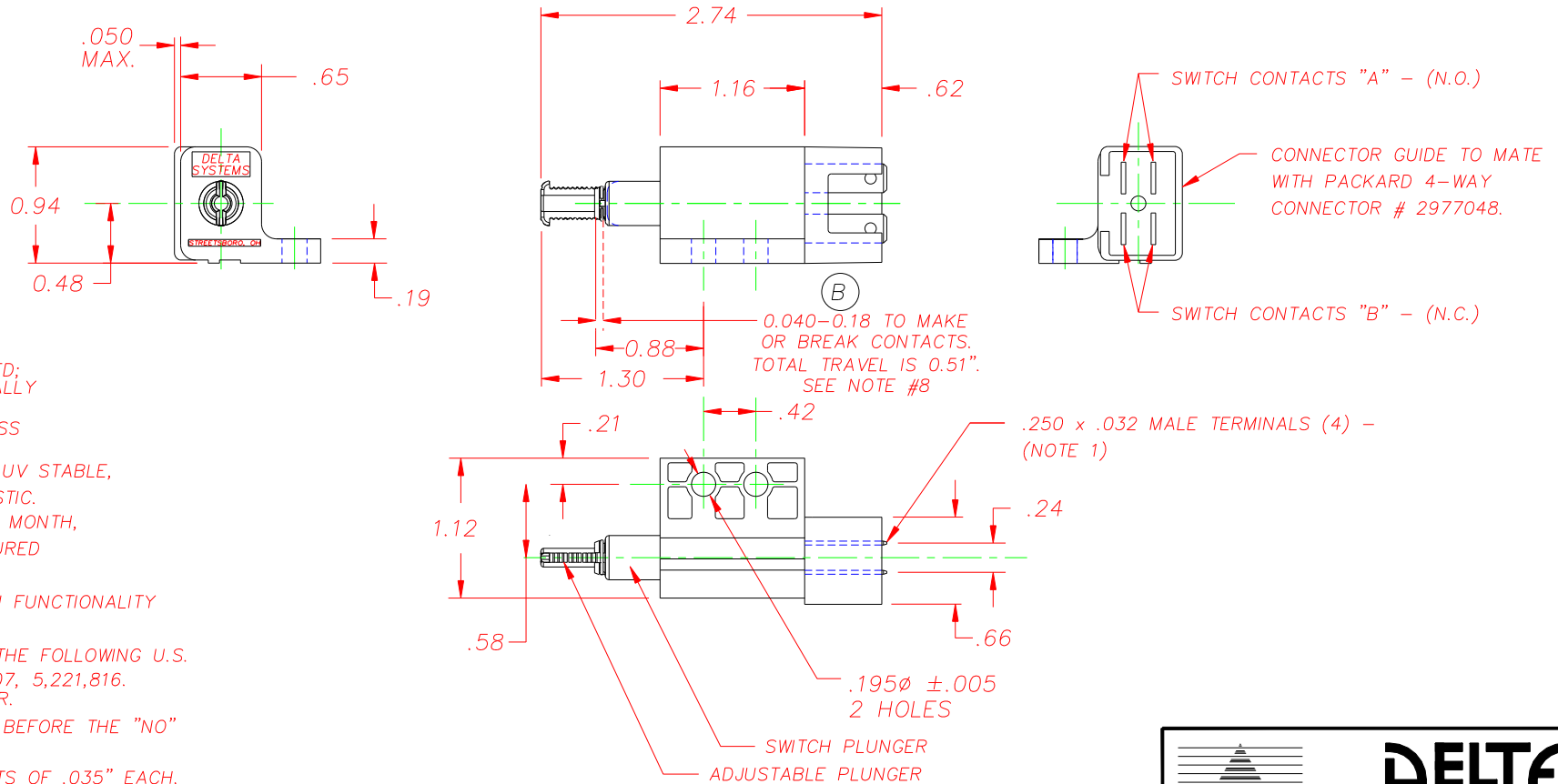


REVISIONS

~	INITIAL RELEASE PER CR 1469	12/09/02	JH
A	NOTE 8, .300 WAS .030, CN 0863	09/14/04	JH
B	CHANGE SPECIFICATIONS; CN 0932	12/17/04	JM



NOTES:

- 1-TERMINALS ARE NICKEL PLATED; "NC" STAMPED ON ALL NORMALLY CLOSED TERMINALS.
- 2-ADJUSTABLE PLUNGER IS GLASS FILLED NYLON, ALL OTHER PLASTIC PARTS - DELTON™, UV STABLE, FUEL RESISTANT THERMOPLASTIC.
- 3-DATE CODE INDICATING YEAR, MONTH, & DAY OF MONTH MANUFACTURED STAMPED ON HOUSING.
- 4-INTEGRITY OF WELD & SWITCH FUNCTIONALITY TESTED AFTER ASSEMBLY.
- 5-THIS PRODUCT COVERED BY THE FOLLOWING U.S. PATENT; 4,812,604, 5,528,007, 5,221,816. OTHER PATENTS APPLIED FOR.
- 6-"NC" POLE BREAKS CONTACT BEFORE THE "NO" POLE MAKES CONTACT.
- 7-ADJUSTABLE IN 12 INCREMENTS OF .035" EACH. THE FORCE REQUIRED TO DEPRESS THE "ADJUSTABLE PLUNGER" WHEN THE "SWITCH PLUNGER IS AT THE BOTTOM OF IT'S TRAVEL IS 5-15 LBS., REPEATABLE FOR THREE ADJUSTMENT CYCLES.
- 8-3.0±1.0 LBS. FORCE TO ACTUATE THE SWITCH PLUNGER .300".
- 9-ELECTRICAL LIFE:  
75,000 CYCLES @ 3A 12VDC RESISTIVE LOAD.  
10,000 CYCLES @ 3A 12VDC INDUCTIVE LOAD.

DELTA SYSTEMS, INC. DOES NOT ASSUME ANY LIABILITY ARISING OUT OF THE MISAPPLICATION OF ANY PRODUCT

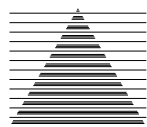
COMPUTER GENERATED DRAWING - NO MANUAL CHANGES ALLOWED

UNLESS OTHERWISE SPECIFIED DIMENSIONS ARE IN INCHES TOLERANCES ARE:

.XX± .02 .XXX± .010 ANG±

DO NOT SCALE DRAWING

DRAWN	DATE
JLM	05/14/02
CHECKED	DATE
JH	05/25/02
MATERIAL	
AS NOTED	
FINISH	
BLACK / GRAY	

 <p><b>DELTA</b> SYSTEMS INC. STREETSBORO, OHIO 44241</p>		TITLE	
		N.O./N.C. PLUNGER SWITCH (DOUBLE POLE) WITH ADJUSTMENT	
SIZE	DWG. NO.	REV	
B	6400-53AP	B	
SCALE		PROJECT NO.	REV
FULL		EX311	B

