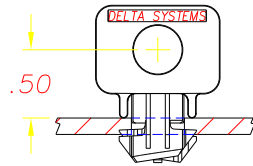


RECOMMENDED MOUNTING SLOT
SWITCH WILL ACCEPT .078 & .125 PANEL
THICKNESSES INCLUDING PAINT, DECALS, ETC.

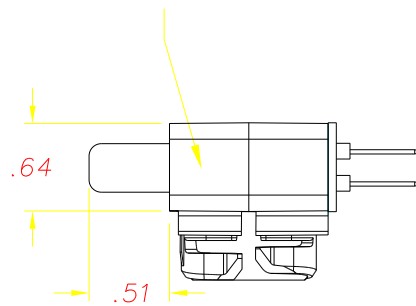
*SQUARE EDGE REQUIRED ON WING RETENTION SIDE OF SLOT

REVISIONS			
~	RELEASED FROM EX, CR 1453	11/06/01	JH
A	REVISED INTERNAL SPRING	12/07/01	JH
B	BUTTON MAT'L WAS ACETAL, CR1517	07/01/03	MA

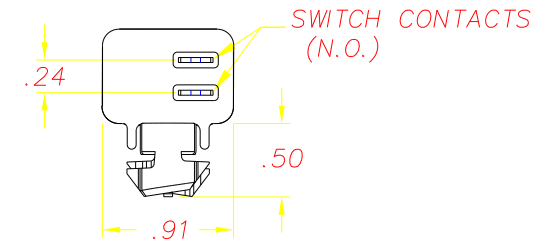


PUNCH ENTRY SIDE

RETENTION SIDE



DATE CODE STAMPED
ON BODY OF SWITCH



.040-.150 TO MAKE OR
BREAK CONTACTS



.250 x .032 MALE TERMINALS (4)
MATE WITH PACKARD 56 SERIES
FEMALE. (NOTE 1)

NOTES:

- 1-TERMINALS ARE NICKEL PLATED
- 2-PLASTIC PARTS ARE DELTON™, UV STABLE, FUEL RESISTANT THERMOPLASTIC. (B)
- 3-DATE CODE INDICATING YEAR, MONTH, AND DAY OF MONTH MANUFACTURED STAMPED ON HOUSING.
- 4-INTEGRITY OF WELD & SWITCH FUNCTIONALITY TESTED AFTER ASSEMBLY.
- 5-THIS PRODUCT COVERED BY ONE OR MORE OF THE FOLLOWING U.S. PATENTS: 5,221,816; 5,424,502; 4,812,604, OTHER PATENTS APPLIED FOR.
- 6-⚠ THIS SWITCH IS NOT RECOMMENDED FOR SAFETY INTERLOCK APPLICATIONS.
- 7-STATIC LOAD OF 1.1±0.4 LB EXERTS @ .150" DEFLECTION AT REST STATE OF PLUNGER.

DELTA SYSTEMS, INC. DOES NOT ASSUME
ANY LIABILITY ARISING OUT OF THE
MISAPPLICATION OF ANY PRODUCT

COMPUTER GENERATED
DRAWING - NO MANUAL
CHANGES ALLOWED

UNLESS OTHERWISE SPECIFIED
DIMENSIONS ARE IN INCHES
TOLERANCES ARE:

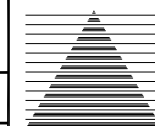
.XX± .02 .XXX± .005 ANG± 1°

DO NOT SCALE DRAWING

DRAWN	DATE
DMR	09/12/01
CHECKED	DATE
JH	11/06/01

MATERIAL
AS NOTED

FINISH
BLACK



DELTA

SYSTEMS INC.

STREETSBORO, OHIO 44241

TITLE
N.O. PLUNGER SWITCH
S.P.S.T. W/ 2.0 LB SPRING

SIZE B DWG. NO. 6400-20

SCALE FULL PROJECT NO. EX335 REV B