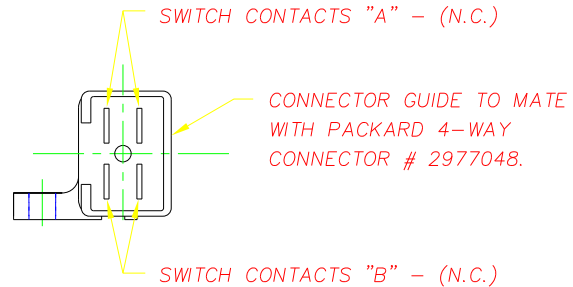
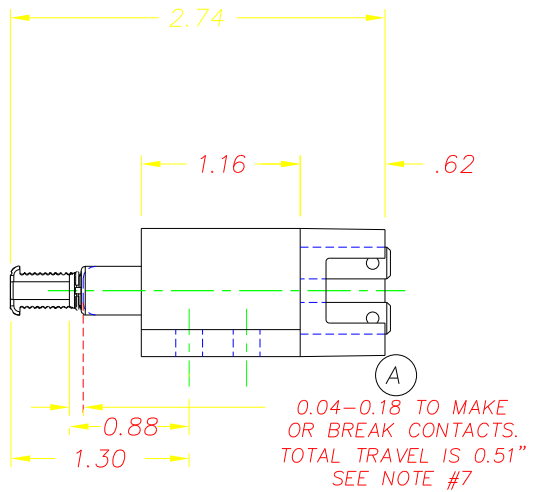
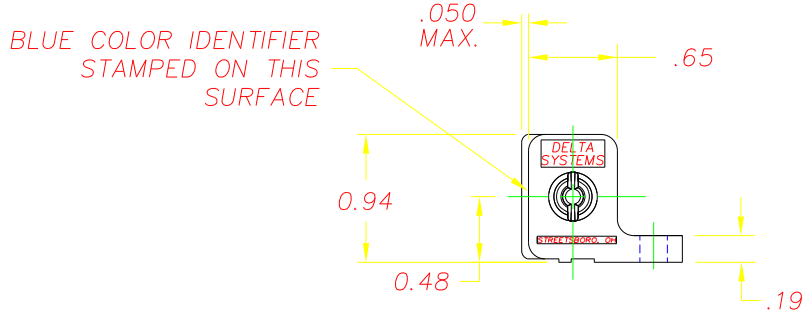
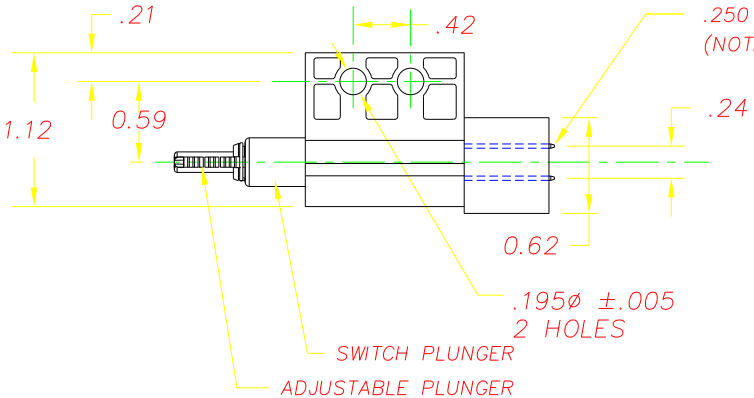


REVISIONS			
~	INITIAL RELEASE PER CR 1469	12/09/02	JH
A	CHANGE SPECIFICATIONS; CN 0932	12/17/04	JM



**NOTES:**

- 1-TERMINALS ARE NICKEL PLATED "NC" STAMPED ON ALL NORMALLY CLOSED TERMINALS.
- 2-ADJUSTABLE PLUNGER IS GLASS FILLED NYLON, ALL OTHER PLASTIC PARTS - DELTON™, UV STABLE, FUEL RESISTANT THERMOPLASTIC.
- 3-DATE CODE INDICATING YEAR, MONTH, & DAY OF MONTH MANUFACTURED STAMPED ON HOUSING.
- 4-INTEGRITY OF WELD & SWITCH FUNCTIONALITY TESTED AFTER ASSEMBLY.
- 5-THIS PRODUCT COVERED BY THE FOLLOWING U.S. PATENT; 4,812,604. 5,528,007, 5,221,816, OTHER PATENTS APPLIED FOR.
- 6-ADJUSTABLE IN 12 INCREMENTS OF .035" EACH. THE FORCE REQUIRED TO DEPRESS THE "ADJUSTABLE PLUNGER" WHEN THE "SWITCH PLUNGER" IS AT THE BOTTOM OF IT'S TRAVEL IS 5-15 LBS., REPEATABLE FOR THREE ADJUSTMENT CYCLES.
- 7-3.0±1.0 LBS. FORCE TO ACTUATE THE SWITCH PLUNGER 0.30".
- 8-ELECTRICAL LIFE:  
75,000 CYCLES @ 3A 12VDC RESISTIVE LOAD.  
10,000 CYCLES @ 3A 12VDC INDUCTIVE LOAD.



DELTA SYSTEMS, INC. DOES NOT ASSUME ANY LIABILITY ARISING OUT OF THE MISAPPLICATION OF ANY PRODUCT

COMPUTER GENERATED DRAWING - NO MANUAL CHANGES ALLOWED

UNLESS OTHERWISE SPECIFIED DIMENSIONS ARE IN INCHES TOLERANCES ARE:  
.XX± .02 .XXX± .010 ANG±

DO NOT SCALE DRAWING

DRAWN	DATE
JLM	11/13/02
CHECKED	DATE
JH	11/25/02
MATERIAL	
AS NOTED	
FINISH	
GRAY	

**DELTA**  
SYSTEMS INC.  
STREETSBORO, OHIO 44241

TITLE: N.C./N.C. PLUNGER SWITCH (DOUBLE POLE) WITH ADJUSTMENT

SIZE: B DWG. NO. 6400-03AP

SCALE: FULL PROJECT NO. EX311 REV A