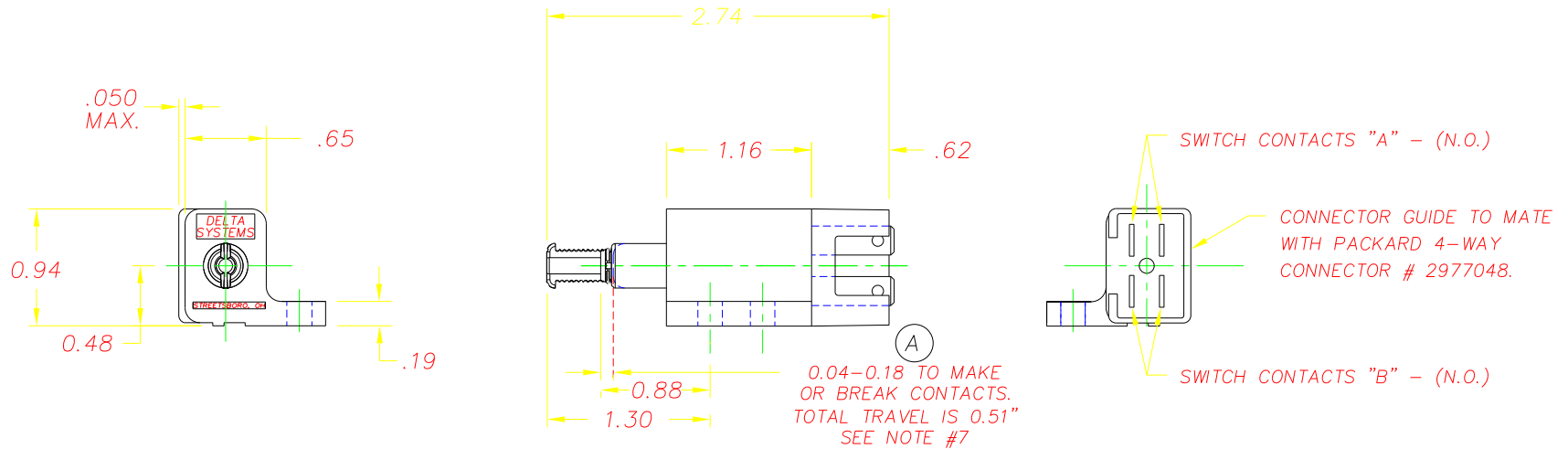
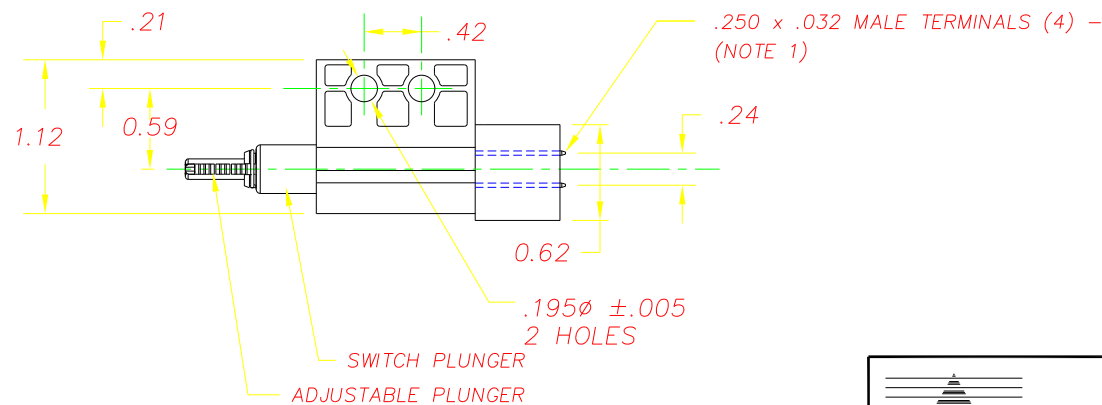


REVISIONS			
~	INITIAL RELEASE PER CR 1469	12/09/02	JH
A	CHANGE SPECIFICATIONS; CN 0932	12/17/04	JM
B	ADD NOTE 9, CN 0976	04/01/05	JH

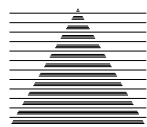


NOTES:

- 1-TERMINALS ARE NICKEL PLATED
- 2-ADJUSTABLE PLUNGER IS GLASS FILLED NYLON, ALL OTHER PLASTIC PARTS - DELTON , UV STABLE, FUEL RESISTANT THERMOPLASTIC.
- 3-DATE CODE INDICATING YEAR, MONTH, & DAY OF MONTH MANUFACTURED STAMPED ON HOUSING.
- 4-INTEGRITY OF WELD & SWITCH FUNCTIONALITY TESTED AFTER ASSEMBLY.
- 5-THIS PRODUCT COVERED BY THE FOLLOWING U.S. PATENT; 4,812,604. 5,528,007, 5,221,816, OTHER PATENTS APPLIED FOR.
- 6-ADJUSTABLE IN 12 INCREMENTS OF .035" EACH.
- (A) THE FORCE REQUIRED TO DEPRESS THE "ADJUSTABLE PLUNGER" WHEN THE "SWITCH PLUNGER" IS AT THE BOTTOM OF IT'S TRAVEL IS 5-15 LBS., REPEATABLE FOR THREE ADJUSTMENT CYCLES.
- 7-3.0±1.0 LBS. FORCE TO ACTUATE THE SWITCH PLUNGER 0.30 ".
- 8-ELECTRICAL LIFE:
75,000 CYCLES @ 3A 12VDC RESISTIVE LOAD.
10,000 CYCLES @ 3A 12VDC INDUCTIVE LOAD.
- 9-HOUSING & COVER ARE GRAY/PLUNGER IS BLACK



DELTA SYSTEMS, INC. DOES NOT ASSUME ANY LIABILITY ARISING OUT OF THE MISAPPLICATION OF ANY PRODUCT		DRAWN	DATE
		JLM	05/14/02
COMPUTER GENERATED DRAWING - NO MANUAL CHANGES ALLOWED		CHECKED	DATE
		JH	06/28/02
UNLESS OTHERWISE SPECIFIED DIMENSIONS ARE IN INCHES TOLERANCES ARE: .XX± .02 .XXX± .010 ANG±		MATERIAL	
		AS NOTED	
DO NOT SCALE DRAWING		FINISH	SEE NOTE 9

 DELTA SYSTEMS INC. STREETSBORO, OHIO 44241		TITLE	
		N.O./N.O. PLUNGER SWITCH (DOUBLE POLE) WITH ADJUSTMENT	
SIZE	DWG. NO.	PROJECT NO.	
B	6400-02AP	EX311	REV
SCALE	FULL	B	