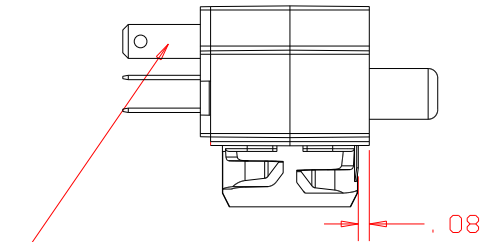
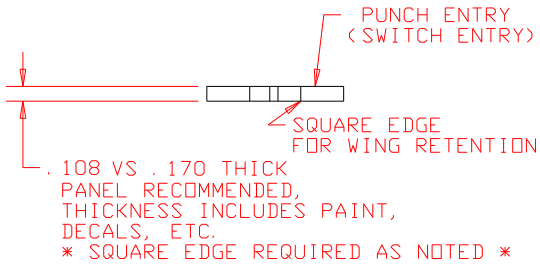
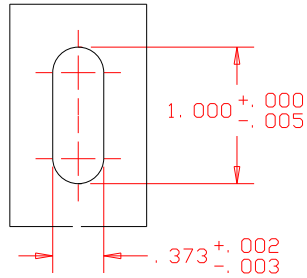


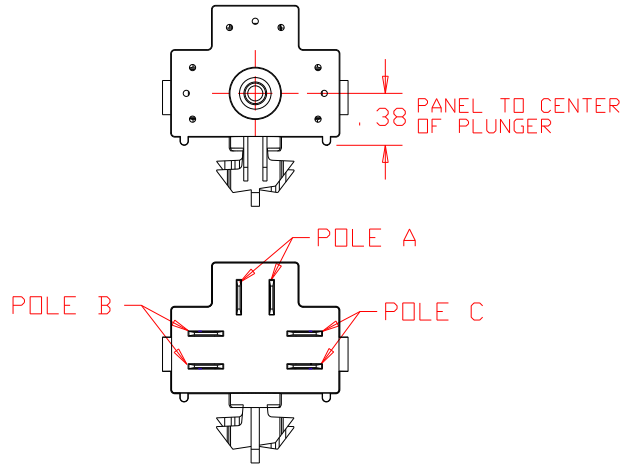
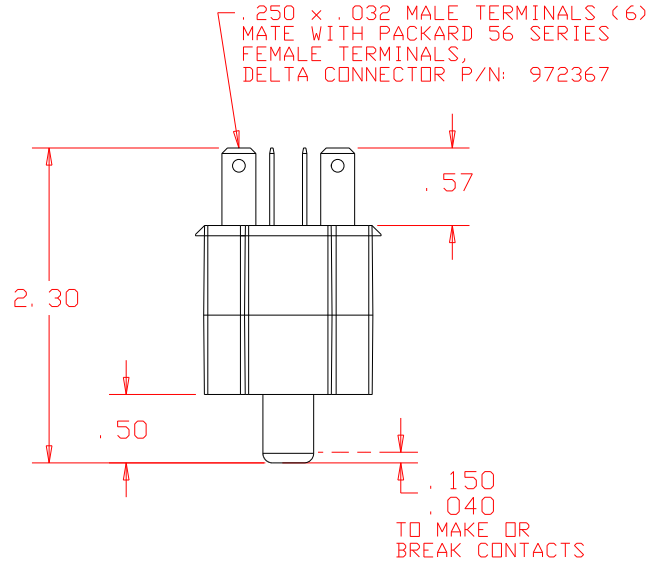
RECOMMENDED MOUNTING SLOT



\* TERMINALS ARE NICKEL PLATED  
 \* "NC" STAMPED ON NORMALLY CLOSED CONTACTS

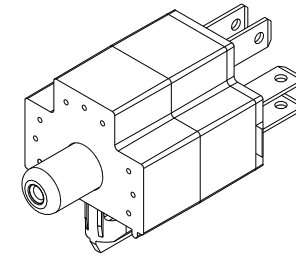
NOTES

- 1) PLASTIC PARTS ARE DELTON (UV STABLE FUEL RESISTANT THERMOPLASTIC)
- 2) SWITCH ASSEMBLY IS DATE CODED TO DAY OF MANUFACTURE
- 3) INTEGRITY OF SONIC WELD TESTED AFTER ASSEMBLY
- 4) THIS PRODUCT COVERED BY THE FOLLOWING US PATENTS; 5,775,482 & 4,812,604 FURTHER PATENTS PENDING



REVISIONS

~	RELEASE FROM EXPERIMENTAL, CR1442	02/11/02	JH
---	-----------------------------------	----------	----



P/N	POLE A	POLE B	POLE C	COLOR
6300-001	NO	NC	NC	GREY BODY, BLACK PLUNGER
6300-002	NC	NC	NC	GREY BODY AND PLUNGER
6300-003	NO	NO	NO	BLACK BODY AND PLUNGER
6300-004	NC	NO	NO	BLACK BODY, GREY PLUNGER

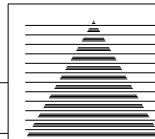
DELTA SYSTEMS, INC. DOES NOT ASSUME ANY LIABILITY ARISING OUT OF THE MISAPPLICATION OF ANY PRODUCT

COMPUTER GENERATED DRAWING - NO MANUAL CHANGES ALLOWED

UNLESS OTHERWISE SPECIFIED DIMENSIONS ARE IN INCHES TOLERANCES ARE:  
 XX± .02 .XXX± .005 ANG±

DO NOT SCALE DRAWING

DRAWN MEL	DATE 05/15/01
CHECKED JH	DATE 02/11/02
MATERIAL AS NOTED	
FINISH AS NOTED	



DELTA SYSTEMS INC.  
 STREETSBOARD, OHIO 44241

TITLE 3 POLE PLUNGER SWITCH (RAIL MOUNT)			
SIZE B	DWG. NO. 6300 SERIES		
SCALE FULL	PROJECT NO. EX367	REV ~	