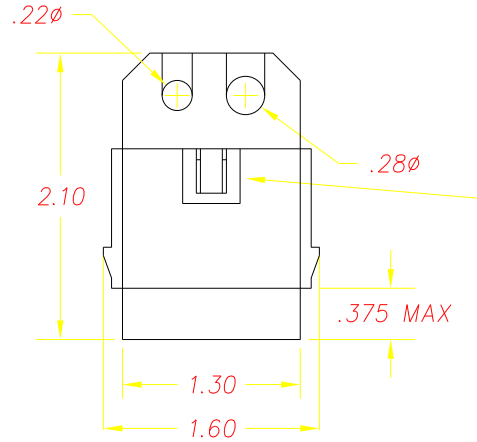


**NOTES:**

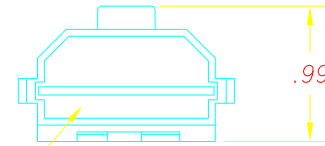
- 1) MAX. OPERATING TEMP.: 180° F
- 2) MAX. OPERATING VOLTAGE: 20 VOLTS DC
- 3) 300 mA MAX. CURRENT AT B INPUT
- 4) 1804 SERIES TIME DELAY MODULE. FOR USE WITH BOSCH RELAY 0-332-204-150 OR EQUIVALENT.
- 5) RELAY IS ENERGIZED WHEN S1 IS CLOSED, OR WHEN S2 IS CLOSED, OR FOR 1 3/4 ± 1/4 SECOND, AFTER S2 IS RELEASED.
- 6) CONNECTOR SNAPS ONTO HOUSING AND REQUIRES AN EXTRA EFFORT TO REMOVE.
- 7) INSERT PLATED TERMINALS (PACKARD #12040502 OR EQUIVALENT) INTO DESIGNATED LOCATIONS IN THE CONNECTOR PRIOR TO INSTALLING THE CONNECTOR ON HOUSING.
- 8) CARD EDGE SEALER/LUBRICANT ADDED.

REVISIONS			
~	INITIAL RELEASE, CR 872	11/13/96	TW
A	MOVED PADS TO TOP OF BOARD	10/31/01	JH

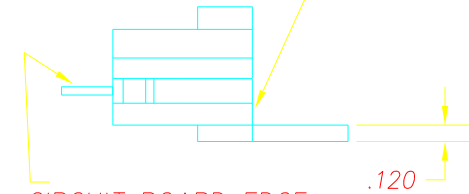


MOUNTING SLOT TO ACCOMMODATE OPTIONAL PACKARD MOUNTING HARDWARE (SUPPLIED BY CUSTOMER)

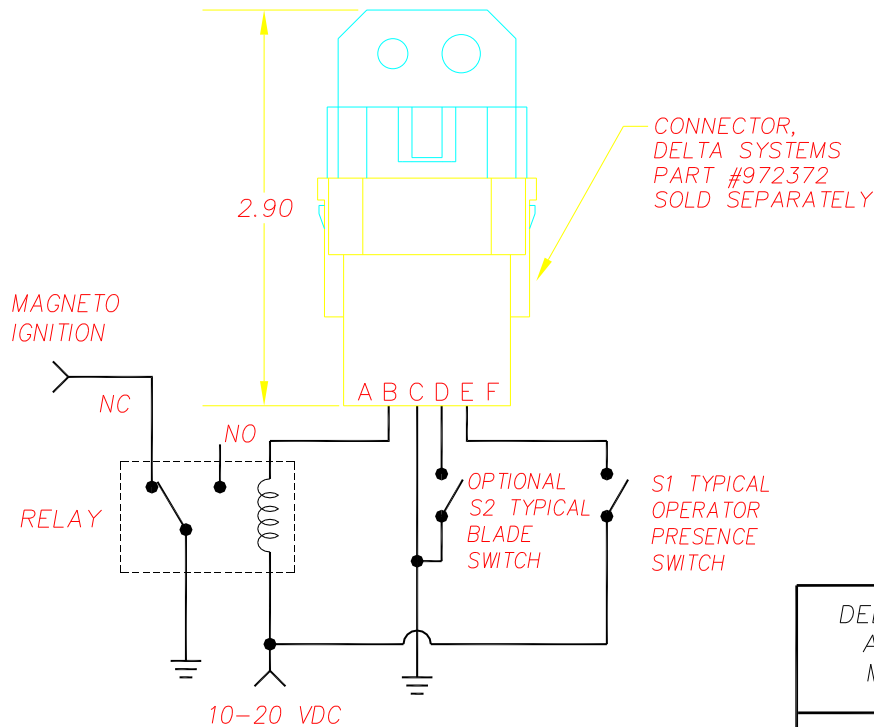
MODULE STYLE NUMBER AND DATE OF MANUFACTURE TO BE MARKED ON REAR OF HOUSING



ENCAPSULANT COVERS ALL ELECTRONIC COMPONENTS



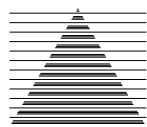
CIRCUIT BOARD EDGE SOLDER PADS ON TOP SIDE OF BOARD



TYPICAL APPLICATION SCHEMATIC

DELTA SYSTEMS, INC. DOES NOT ASSUME ANY LIABILITY ARISING OUT OF THE MISAPPLICATION OF ANY PRODUCT	
COMPUTER GENERATED DRAWING - NO MANUAL CHANGES ALLOWED	UNLESS OTHERWISE SPECIFIED DIMENSIONS ARE IN INCHES TOLERANCES ARE: .xx± .02 .xxx± .005 ANG± 1°
DO NOT SCALE DRAWING	

DRAWN	DATE
LMM	11/12/96
CHECKED	DATE
MATERIAL	
PLASTIC PARTS	
DELTON™	
FINISH	
BLACK	

		<b>DELTA</b> SYSTEMS INC. STREETSBORO, OHIO 44241	
TITLE			
1804 TIME DELAY MODULE			
SIZE	DWG. NO.	REV	
B	1804	A	
SCALE	PROJECT NO.	REV	
FULL	E-310	A	