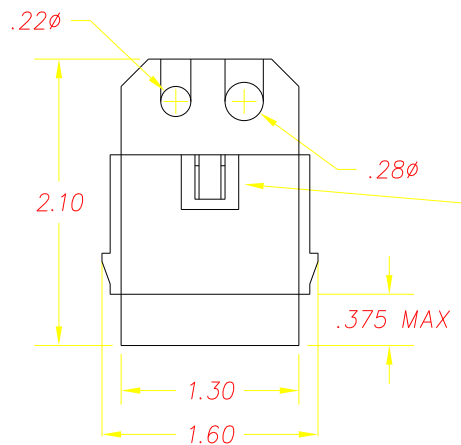


NOTES:

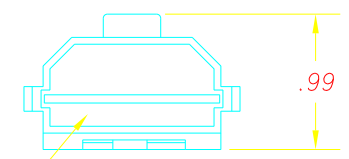
- 1) MAXIMUM OPERATING TEMP.: 180° F
- 2) CONNECTOR SNAPS ONTO HOUSING AND REQUIRES AN EXTRA EFFORT TO REMOVE.
- 3) INSERT PLATED TERMINALS (PACKARD#12040502 OR EQUIVALENT) INTO DESIGNATED LOCATIONS IN THE CONNECTOR PRIOR TO INSTALLING CONNECTOR ON HOUSING.
- 4) ENGINE WILL NOT START UNLESS SAFETY SWITCH(ES) IS/ARE CLOSED. AFTER SAFE START, ENGINE WILL CONTINUE TO RUN WITH SWITCH OPEN OR CLOSED.
- 5) CARD EDGE SEALER/LUBRICANT ADDED
- 6) ENGINE MANUFACTURERS' IGNITIONS VARY. IT IS THE USERS RESPONSIBILITY TO TEST THIS PRODUCT ON ANY SPECIFIC ENGINE.

DSI P/N	ENGINE/MAGNETO TYPE	ENGINE KILL 1(E)	ENGINE KILL 2(F)
0901TSS	HONDA C.D.	MAGNETO	GROUND
0901TSS	KOHLER	MAGNETO	GROUND
0901TSS	TECUMSEH	MAGNETO	GROUND

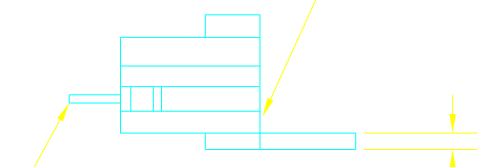
REVISIONS			
A	ADDED NOTE 6, CR 886	12/09/96	TW



MOUNTING SLOT TO ACCOMMODATE OPTIONAL PACKARD MOUNTING HARDWARE (SUPPLIED BY CUSTOMER)

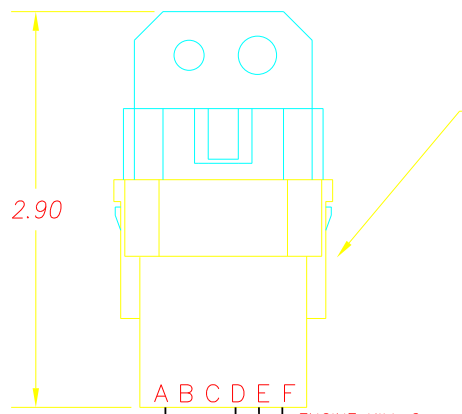


ENCAPSULANT COVERS ALL ELECTRONIC COMPONENTS

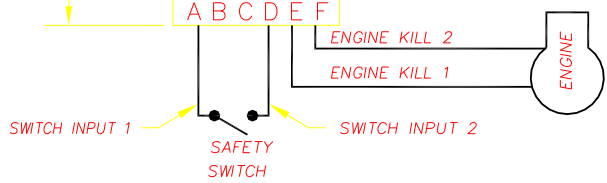


CIRCUIT BOARD EDGE SOLDER PADS ON BOTTOM SIDE OF BOARD

MODULE STYLE NUMBER AND DATE OF MANUFACTURE TO BE MARKED ON REAR OF HOUSING



CONNECTOR, DELTA SYSTEMS PART NUMBER 972372 SOLD SEPARATELY



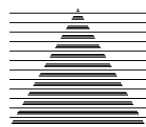
TYPICAL APPLICATION SCHEMATIC

DELTA SYSTEMS, INC. DOES NOT ASSUME ANY LIABILITY ARISING OUT OF THE MISAPPLICATION OF ANY PRODUCT

COMPUTER GENERATED DRAWING - NO MANUAL CHANGES ALLOWED

UNLESS OTHERWISE SPECIFIED DIMENSIONS ARE IN INCHES TOLERANCES ARE:
 .xx± .02 .xxx± ANG±
 DO NOT SCALE DRAWING

DRAWN	DATE
LMM	05/10/95
CHECKED	DATE
TW	05/11/95
MATERIAL	
PLASTIC PARTS	
DELTON™	
FINISH	
PLASTIC PARTS	
BLACK	



DELTA
SYSTEMS INC.
STREETSBORO, OHIO 44241

TITLE		0901T MODULE	
SIZE	B	DWG. NO.	0901T
SCALE	FULL	PROJECT NO.	E-329
		REV	A