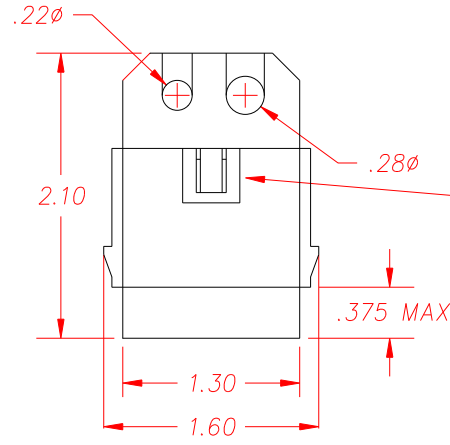


NOTES:

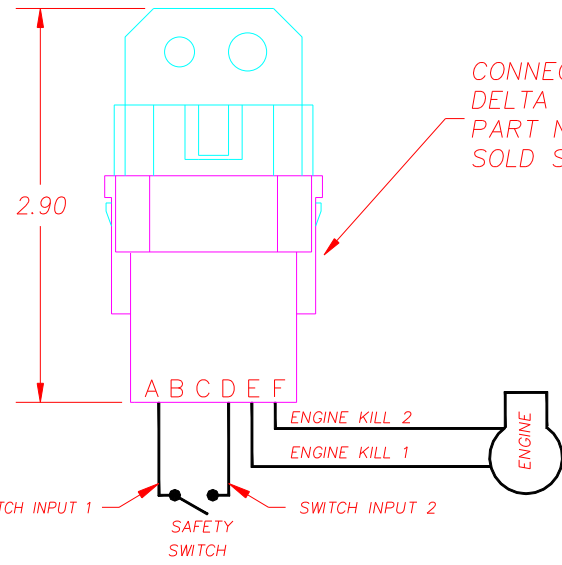
- 1) MAXIMUM OPERATING TEMP.: 180° F
- 2) CONNECTOR SNAPS ONTO HOUSING AND REQUIRES AN EXTRA EFFORT TO REMOVE.
- 3) INSERT PLATED TERMINALS (PACKARD#12040502 OR EQUIVALENT) INTO DESIGNATED LOCATIONS IN THE CONNECTOR PRIOR TO INSTALLING CONNECTOR ON HOUSING.
- 4) ENGINE WILL NOT START UNLESS SAFETY SWITCH(ES) IS/ARE CLOSED. AFTER SAFE START, ENGINE WILL CONTINUE TO RUN WITH SWITCH OPEN OR CLOSED.
- 5) CARD EDGE SEALER/LUBRICANT ADDED
- 6) ENGINE MANUFACTURERS' IGNITIONS VARY. IT IS THE USERS RESPONSIBILITY TO TEST THIS PRODUCT ON ANY SPECIFIC ENGINE.

DSI P/N	ENGINE/MAGNETO TYPE	ENGINE KILL 1(E)	ENGINE KILL 2(F)
0901G	BRIGGS & STRATTON	GROUND	MAGNETO
0901G	HONDA/INDUCTIVE	GROUND	MAGNETO
0901G	KAWASAKI	GROUND	MAGNETO
0901G	KOHLER/INDUCTIVE	MAGNETO	GROUND

REVISIONS			
~	INITIAL RELEASE, CR 1695	02/07/08	DAS

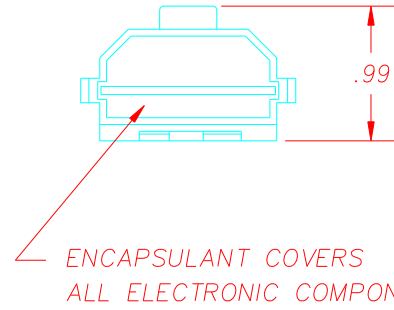


MOUNTING SLOT TO ACCOMMODATE OPTIONAL PACKARD MOUNTING HARDWARE (SUPPLIED BY CUSTOMER)

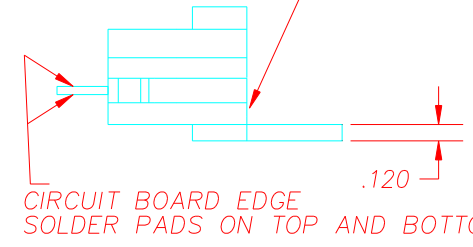


CONNECTOR, DELTA SYSTEMS PART NUMBER 972372 SOLD SEPARATELY

TYPICAL APPLICATION SCHEMATIC



ENCAPSULANT COVERS ALL ELECTRONIC COMPONENTS



CIRCUIT BOARD EDGE SOLDER PADS ON TOP AND BOTTOM SIDE OF BOARD

MODULE STYLE NUMBER AND DATE OF MANUFACTURE TO BE MARKED ON REAR OF HOUSING

DELTA SYSTEMS, INC. DOES NOT ASSUME ANY LIABILITY ARISING OUT OF THE MISAPPLICATION OF ANY PRODUCT

COMPUTER GENERATED DRAWING - NO MANUAL CHANGES ALLOWED

UNLESS OTHERWISE SPECIFIED DIMENSIONS ARE IN INCHES TOLERANCES ARE:
 .XX± .02 .XXX± ANG±
 DO NOT SCALE DRAWING

DRAWN	DATE
JDW	10/09/07
CHECKED	DATE
DAS	02/06/08
MATERIAL	
PLASTIC PARTS	
DELTON™	
FINISH	
PLASTIC PARTS	
BLACK	

 DELTA SYSTEMS INC. STREETSBORO, OHIO 44241		TITLE	
		APPLICATION PRINT - SAFE START MODULE, 0901G	
SIZE	DWG. NO.	REV	
B	0901G	~	
SCALE	PROJECT NO.	REV	
FULL	EX-310	~	

