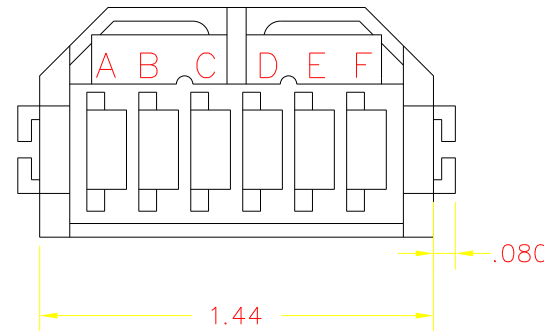
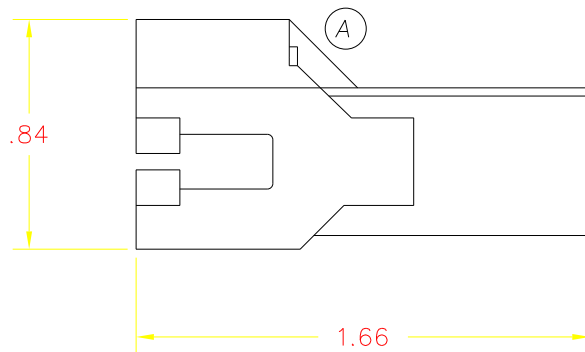
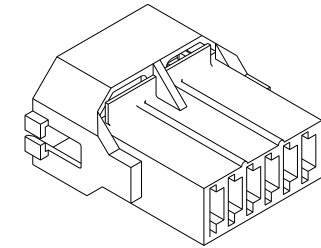
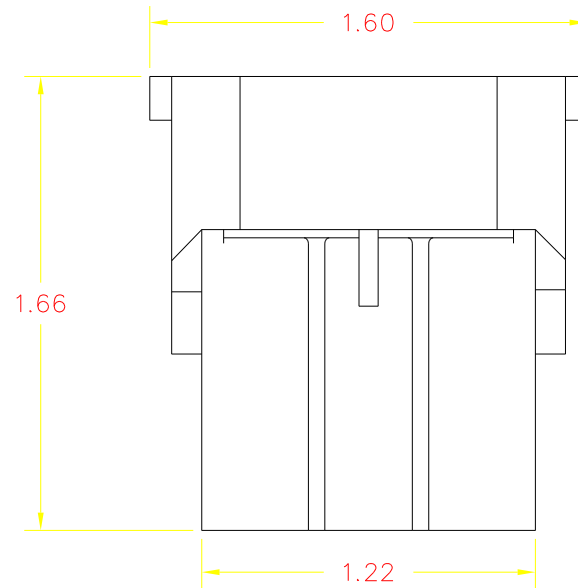


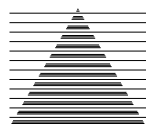
REVISIONS

~	INITIAL RELEASE CR, 697	06/16/95	TW
A	ADD RIBS & OPENED SLOTS, CR1325	03/03/00	JH
B	TOLERANCES TO 2 PLACES, CN 1010	06/30/05	MEL



NOTES:

- 1-MATERIAL IS DELTON™, UV STABLE, FUEL RESISTANT THERMOPLASTIC.
- 2-THIS CONNECTOR MATES WITH ALL DELTA SYSTEMS INC. CONTROL MODULES.
- 3-CONNECTOR TO ACCEPT PACKARD PLATED TERMINAL #12040502.

DELTA SYSTEMS, INC. DOES NOT ASSUME ANY LIABILITY ARISING OUT OF THE MISAPPLICATION OF ANY PRODUCT		DRAWN LMM	DATE 06/06/95	 DELTA SYSTEMS INC. STREETSBORO, OHIO 44241		
		CHECKED TW	DATE 06/06/95			
COMPUTER GENERATED DRAWING - NO MANUAL CHANGES ALLOWED		MATERIAL SEE NOTE 1		TITLE MODULE CONNECTOR		
		FINISH BLACK		SIZE B	DWG. NO. 972372	
UNLESS OTHERWISE SPECIFIED DIMENSIONS ARE IN INCHES TOLERANCES ARE: .XX± .02 .XXX± .005 ANG± 1°		DO NOT SCALE DRAWING		SCALE 2:1	PROJECT NO. EX310	REV B