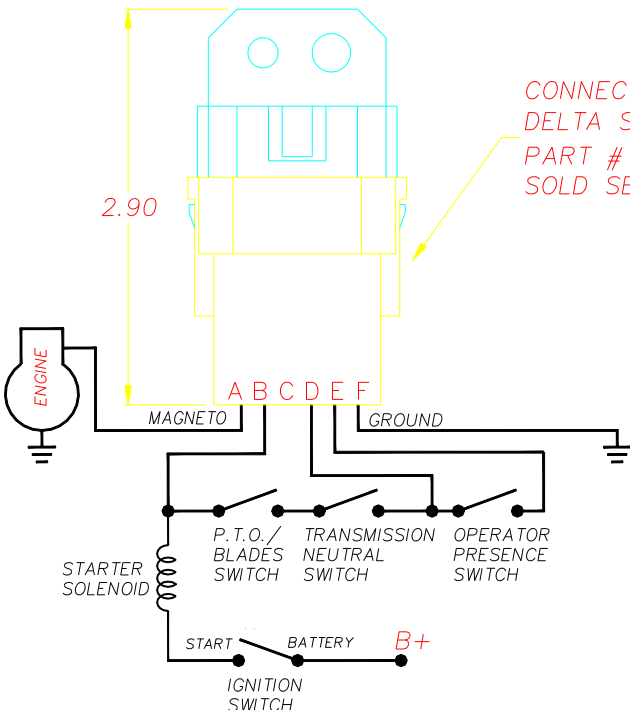


**NOTES:**

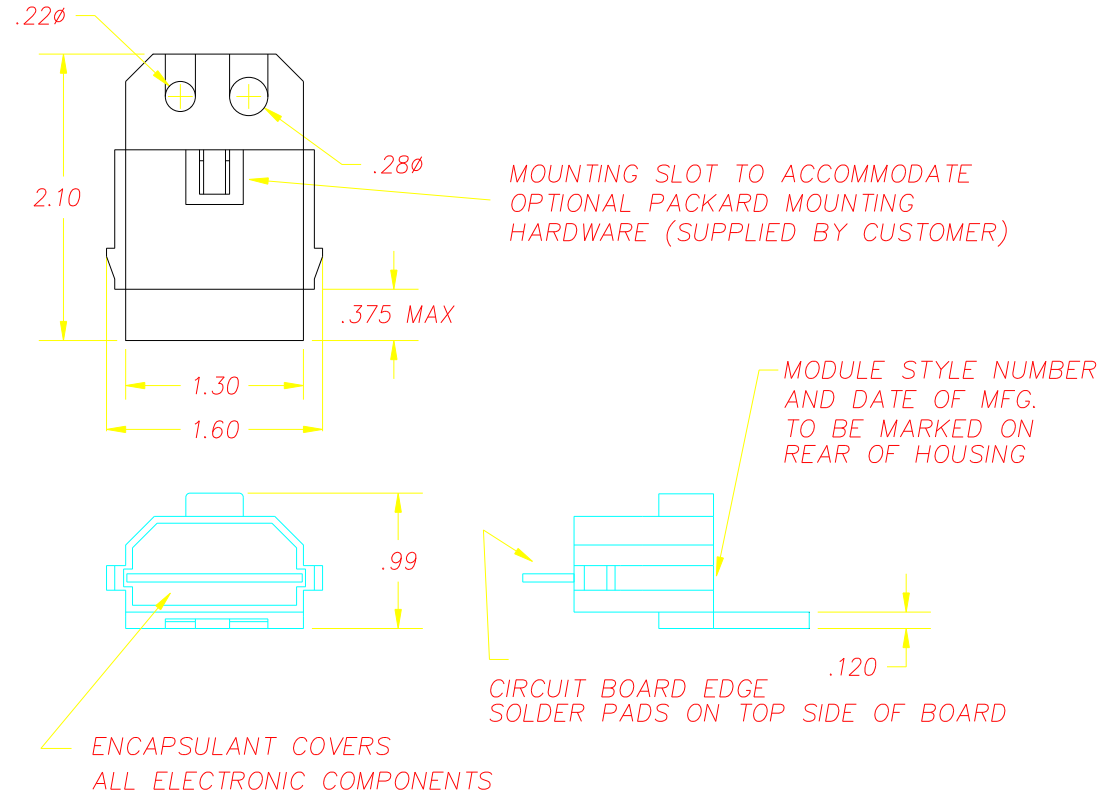
- 1) MAXIMUM OPERATING TEMP.: 180° F
- 2) CONNECTOR SNAPS ONTO HOUSING AND REQUIRES AN EXTRA EFFORT TO REMOVE.
- 3) INSERT PLATED TERMINALS (PACKARD #12040502 OR EQUIVALENT) INTO DESIGNATED LOCATIONS IN THE CONNECTOR PRIOR TO INSTALLING CONNECTOR ON HOUSING.
- 4) ENGINE WILL NOT CRANK IF MODULE IS DISCONNECTED.
- 5) MODULE WILL ALLOW ENGINE TO RUN ONLY WHEN OPERATOR IS PRESENT, OR P.T.O. IS OFF AND TRANSMISSION IS IN NEUTRAL.
- 6) ENGINE WILL NOT CRANK UNLESS OPERATOR PRESENCE, P.T.O BLADES, AND TRANSMISSION NEUTRAL SWITCHES ARE ALL CLOSED.
- 7) CARD EDGE SEALER/LUBRICANT ADDED.
- 8) THIS PRODUCT COVERED BY ONE OR MORE OF THE FOLLOWING U.S. PATENTS: 4,294,961; 4,369,745; 5,190,019.
- 9) THIS PRODUCT NOT FOR USE WITH CAPACITOR DISCHARGE IGNITIONS. ENGINE MANUFACTURERS' IGNITONS VARY. IT IS THE USERS RESPONSIBILITY TO TEST THIS PRODUCT ON ANY SPECIFIC ENGINE.



TYPICAL APPLICATION SCHEMATIC

CONNECTOR,  
DELTA SYSTEMS  
PART # 972372  
SOLD SEPARATELY

REVISIONS			
C	ADDED NOTE 9, CR 886	12/09/96	TW
D	MOVED PADS TO TOP OF BOARD	10/31/01	JH
E	ADDED TO NOTE 5, CN 1723	07/14/08	JH

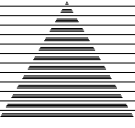


DELTA SYSTEMS, INC. DOES NOT ASSUME ANY LIABILITY ARISING OUT OF THE MISAPPLICATION OF ANY PRODUCT

COMPUTER GENERATED DRAWING - NO MANUAL CHANGES ALLOWED

UNLESS OTHERWISE SPECIFIED DIMENSIONS ARE IN INCHES TOLERANCES ARE:  
 .xx± .02 .xxx± ANG±  
 DO NOT SCALE DRAWING

DRAWN	DATE
DRK	02/09/94
CHECKED	DATE
TW	02/10/94
MATERIAL	
PLASTIC PARTS	
DELTON™	
FINISH	
PLASTIC PARTS	
BLACK	

		<b>DELTA</b> SYSTEMS INC. STREETSBORO, OHIO 44241	
SIZE B	DWG. NO. 1601	PROJECT NO. E-329	
SCALE FULL	REV E	REV E	

